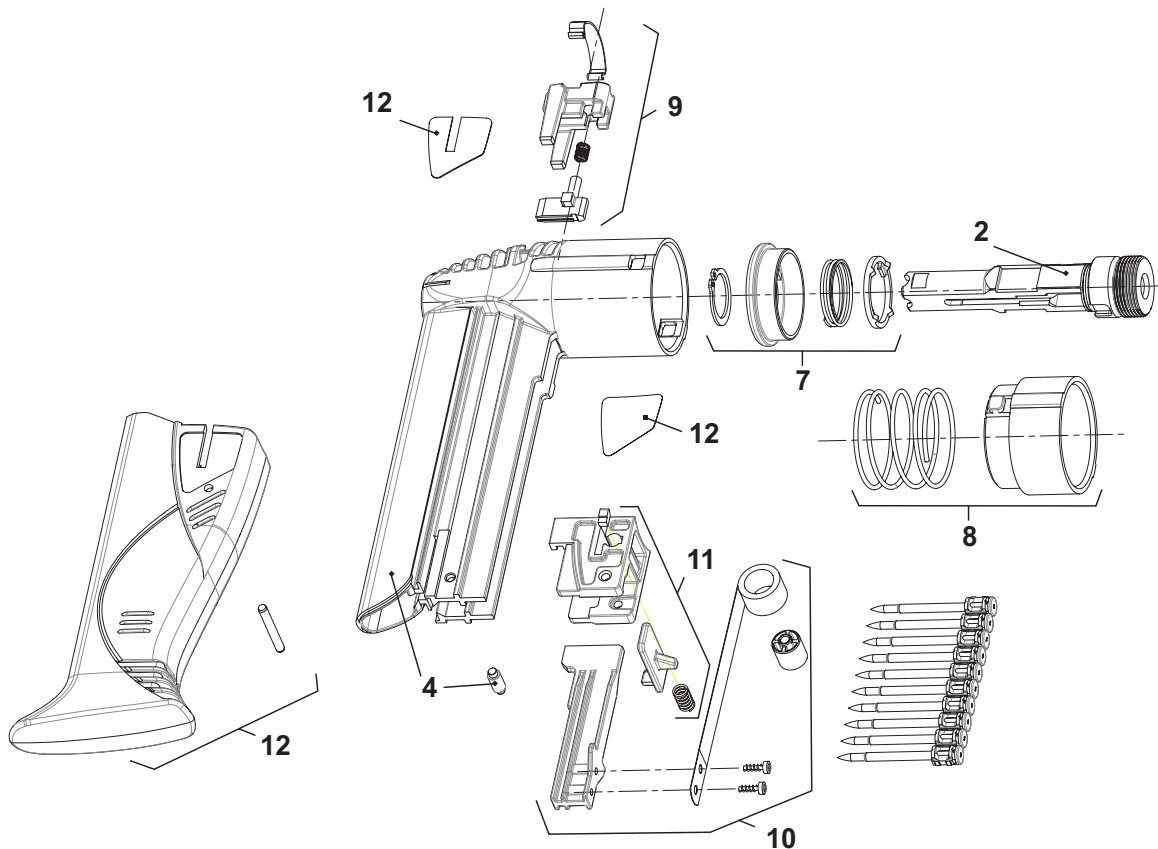
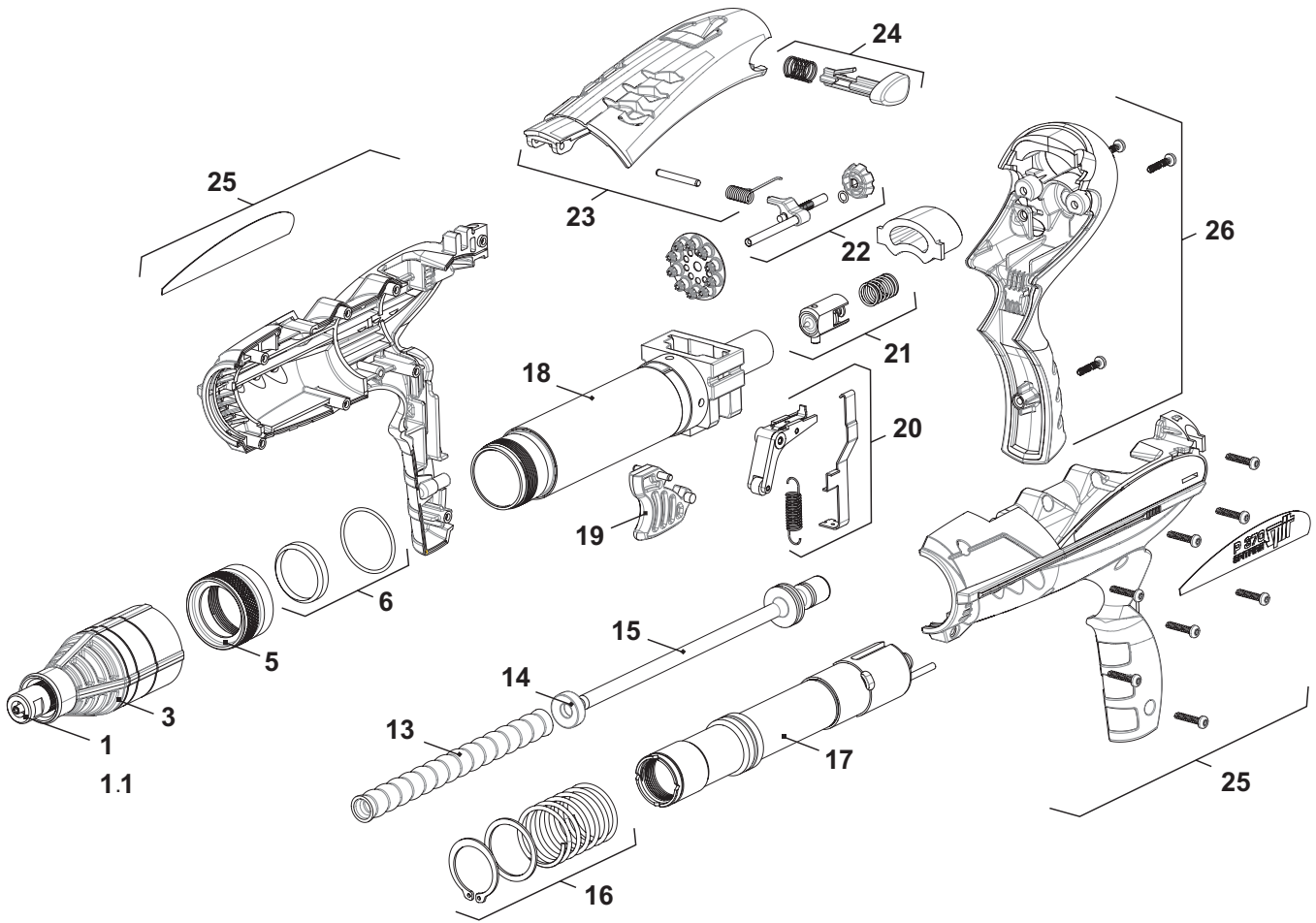




P370C60 SPITFIRE





P370C60

SPITFIRE

Rep	Code	Désignation	Description
1	010970	ENS. GUIDE TAMPON P370	PIN GUIDE ASSY P370
1.1	011037	ENS. GUIDE TAMPON P370E	PIN GUIDE ASSY P370E
2	010971	ENS. GUIDE TAMPON P370C60	PIN GUIDE ASSY P370C60
3	010972	ENS. ANTI TIR LIBRE	MUZZLE BUSHING SHROUD ASSY
4	010973	ENS. CORPS CHARGEUR	MAGAZINE BODY ASSY
4.1*	010996	ENS. CORPS CHARGEUR «NG»	MAGAZINE BODY ASSY «NG»
5	010974	ENS. BAGUE VERROUILLAGE	LOCKING RING ASSY
6	010975	ENS. BAGUE BUTEE	STOP RING ASSY
7	010976	ENS. SUPPORT INDEXAGE	INDEXING SUPPORT ASSY
8	010977	ENS. BUTEE CHARGEUR	MAGAZINE STOP ASSY
9	010978	ENS. VERROU SECURITE	SAFETY LOCK ASSY
10	010979	ENS. CURSEUR	SLIDE ASSY
11	010980	ENS. VERROUILLAGE CHARGEUR	MAGAZINE LOCKING ASSY
12	010981	ENS. COUVERCLE CHARGEUR	MAGAZINE COVER ASSY
13	010982	ENS. RESSORT RAPPEL MASSELOTTE	PISTON RETURN SPRING ASSY
14	010983	ENS. BAGUE ISOLATION	INSULATION RING ASSY
15	010984	ENS. MASSELOTTE	PISTON ASSY
16	010985	ENS. RESSORT CANON	BARREL SPRING ASSY
17	010986	ENS. CANON	BARREL ASSY
18	010987	ENS. PORTE CANON	RECEIVER ASSY
19	010988	ENS. DETENTE	TRIGGER ASSY
20	010989	ENS. LEVIER DECLENCHEMENT	RELEASE LEVER ASSY
21	010990	ENS. PERCUTEUR	FIRING PIN ASSY
22	010991	ENS. REGLAGE PUISSANCE	ENERGY SET ASSY
23	010992	ENS. CAPOT	COVER ASSY
24	010993	ENS. VERROUILLAGE CAPOT	COVER LOCKING ASSY
25	010994	ENS. POIGNEES D/G	RIGHT/LEFT SIDE HANDLE ASSY
26	010995	ENS. POIGNEES ARRIERE	REAR HANDLE ASSY
27	310000	STABILISATEUR	STABILIZER